

Arko

**gaviota**  
Sun Life Specialist

## *INSTALLATION*



- *Wall or ceiling*
- *Recommended: concrete B15*
- *Fastening by 4 fixing screws.*

***Minimum efforts to support:***

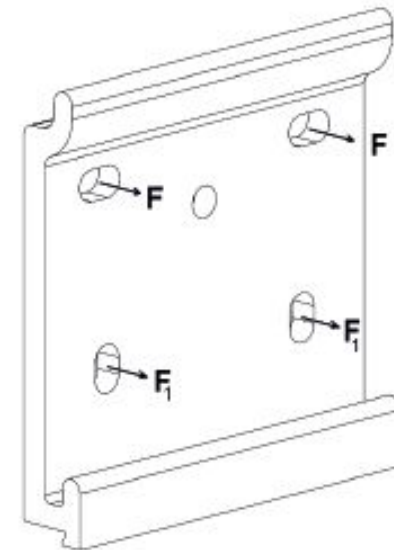
***- Top elements:***

- *765 Kg. with 3.5 & 4 m arms.*
- *605 Kg. with other projections.*

***- Bottom elements:***

- *345 Kg. in all cases.*

$$F = \begin{cases} 765 \text{ kg} = 1687 \text{ lb.} \\ 605 \text{ kg} = 1327 \text{ lb.} \end{cases}$$
$$F_1 = 345 \text{ kg} = 761 \text{ lb.}$$

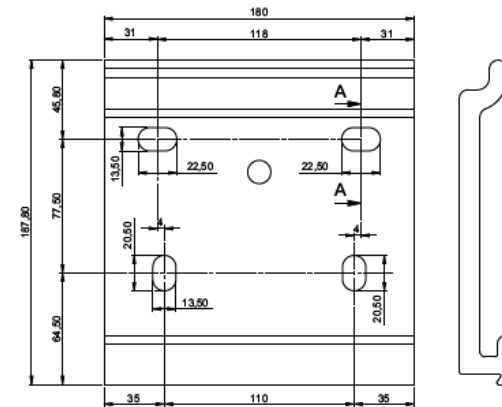


- Place the brackets on the wall according to distance D.

$$D = L$$

Only *with minimum widths*:

- $D = L - 24$  (all installations)

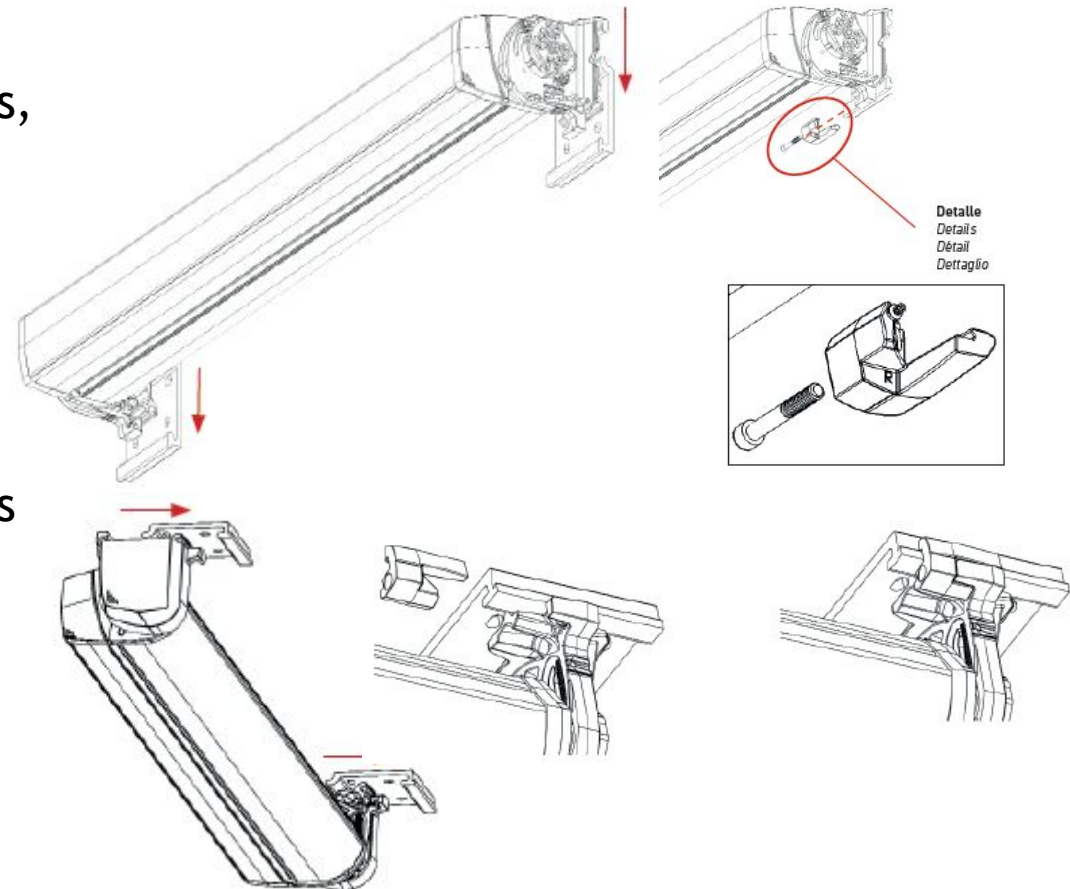


**To wall :**

- Hang the box on the wall brackets, centre their position
- Insert the blocking plates
- Screw them in.

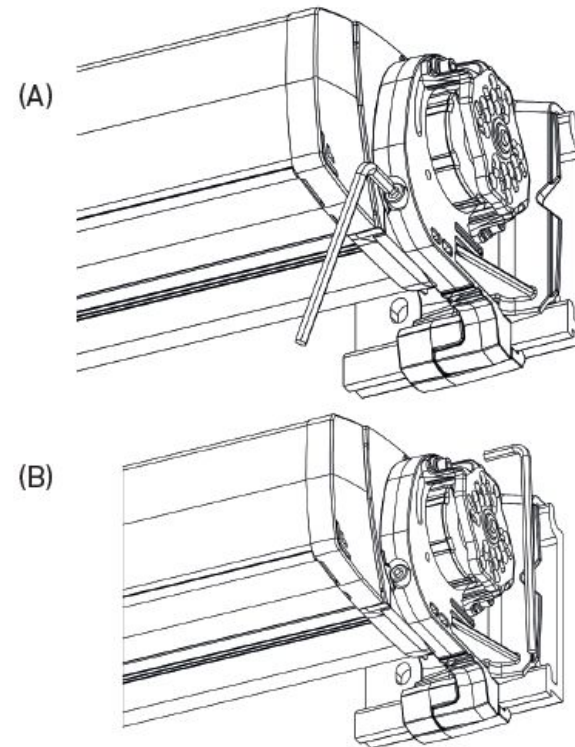
**To ceiling :**

- Hang the box on the wall brackets
- Immediately slide the blocking plates to fit them into the fixed brackets, to ensure that the box does not accidentally fall.
- Insert the blocking plates
- Screw them in.



**Fabric inclination adjustment:**

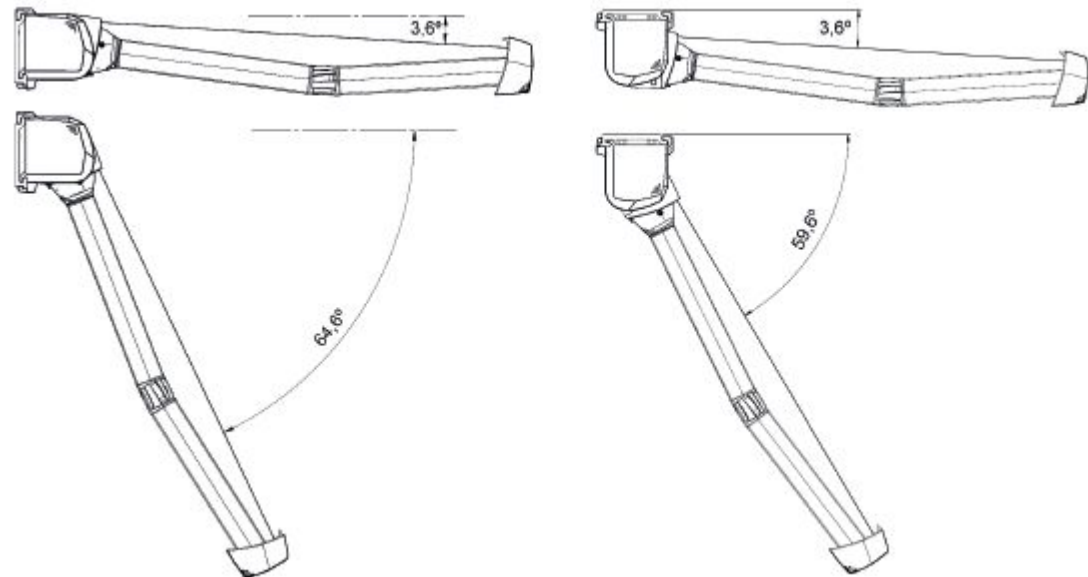
- Open the box as needed to see the inclination and act on the screw (A) in both brackets.
- Once adjusted, ensure that the load rod is aligned to the box profile. Then, screw (B) the mobile brackets to the fixed brackets.



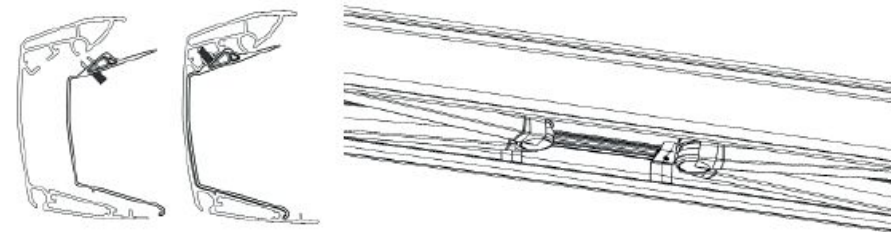
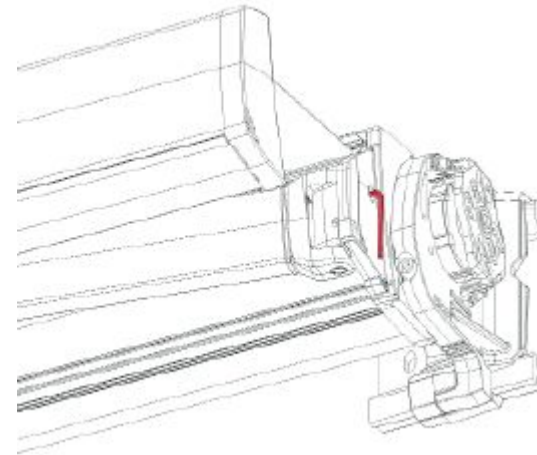
**Important:**

If use with rain is expected:

- Minimum canvas tilt:  $14^\circ$ .
- • If the tilt is less, the awning must be closed.
- • If the tilt is  $14^\circ$  or more, the awning may be fully open.



- Verify the correct box closure. If needed, change the elbow height with the box slightly open.
- Fix the back axis position.
- Open the box to install the elbow stoppers to their height.
- In addition, attach the stickers on the front profile, where the arms might touch.



## LEDS LIGHTING

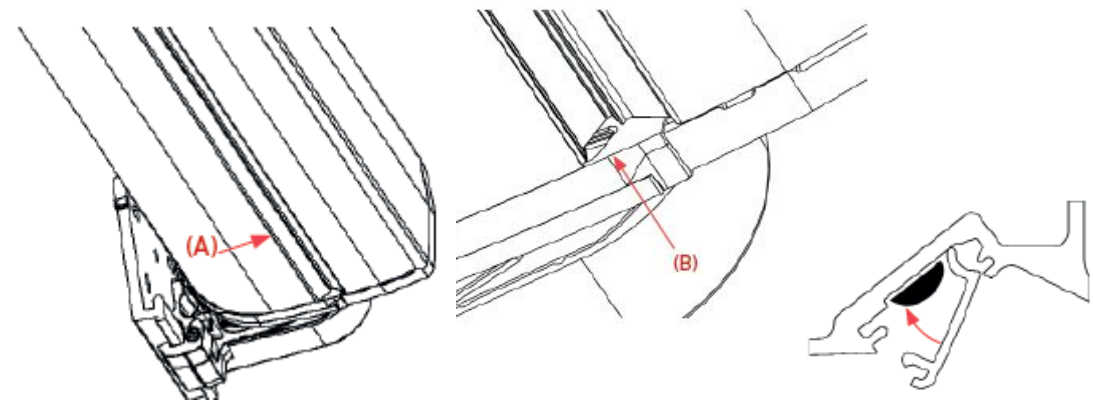
### Without leds lighting :

- Place the profile that covers the channel.
- Clip in front.



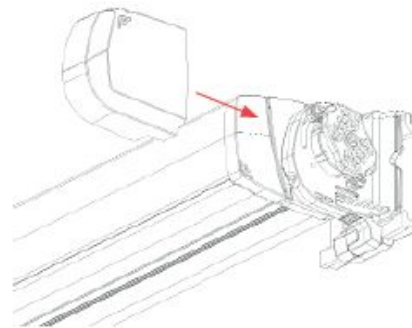
### With leds lighting :

- Stick the LED strip on all the surface (A) and pass the cable (2 mm maximum thickness )through one of the openings (B).
- Clip the cover profile to hide the LEDs.

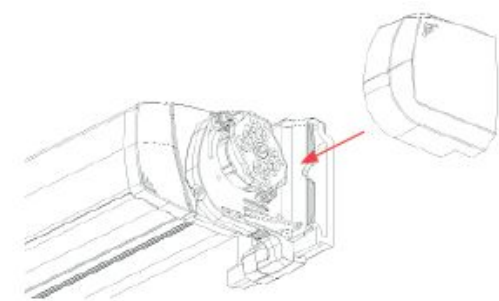




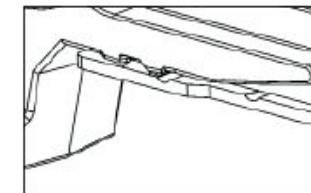
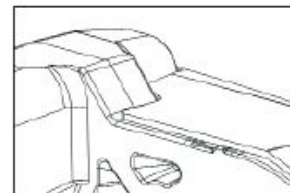
- Put the covers on the supports.
- Make sure that they fit correctly.



**Tapa deslizando frontalmente**  
*Frontal sliding cover*  
*Couvercle coulissant frontalement*  
*Tappo scorrevoli frontalmente*



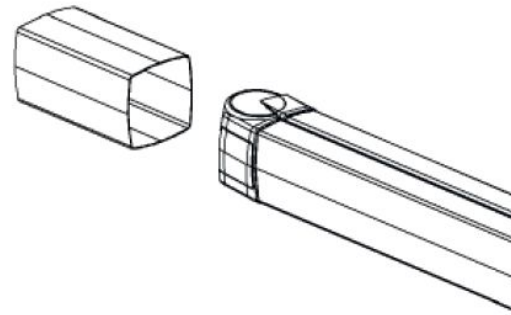
**Tapa deslizando lateralmente**  
*Side sliding cover*  
*Couvercle coulissant latéralement*  
*Tappo scorrevoli lateralmente*



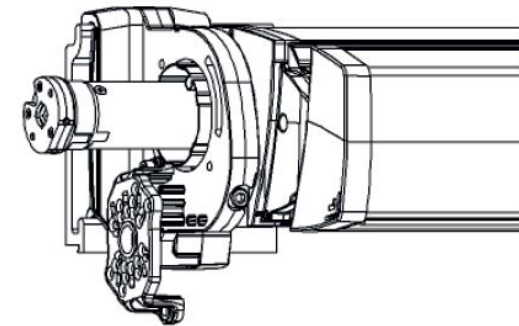
**Detalle encaje de la tapa colocada**  
*Installed cover details*  
*Détails emboîtement du couvercle placé*  
*Dettagli incastro del tappo una volta posizionato*

## MOTOR DISASSEMBLING

- Open the box slightly and secure the two arms so they do not open completely.
- Release the motor support  
Important! Keep one of the screws fixed.
- Turn the bracket and take out the motor.
- Use reverse procedure to put the awning in service.



Asegurar brazos  
Secure the arms  
Fixer les bras  
Fissare i bracci



Extraer motor  
Extract the motor  
Extraire le moteur  
Estrarre il motore

Arko

**gaviota**  
Sun Life Specialist



NOTE: Copyright GAVIOTA SIMBAC S.L.

GAVIOTA SIMBAC S.L owns the copyrights to the photographs, illustrations, and text in this material, and these may not be used, copied, or reproduced in any form, nor by any means, without prior authorization of GAVIOTA SIMBAC S.L .



**gaviota**

Sun Life Specialist